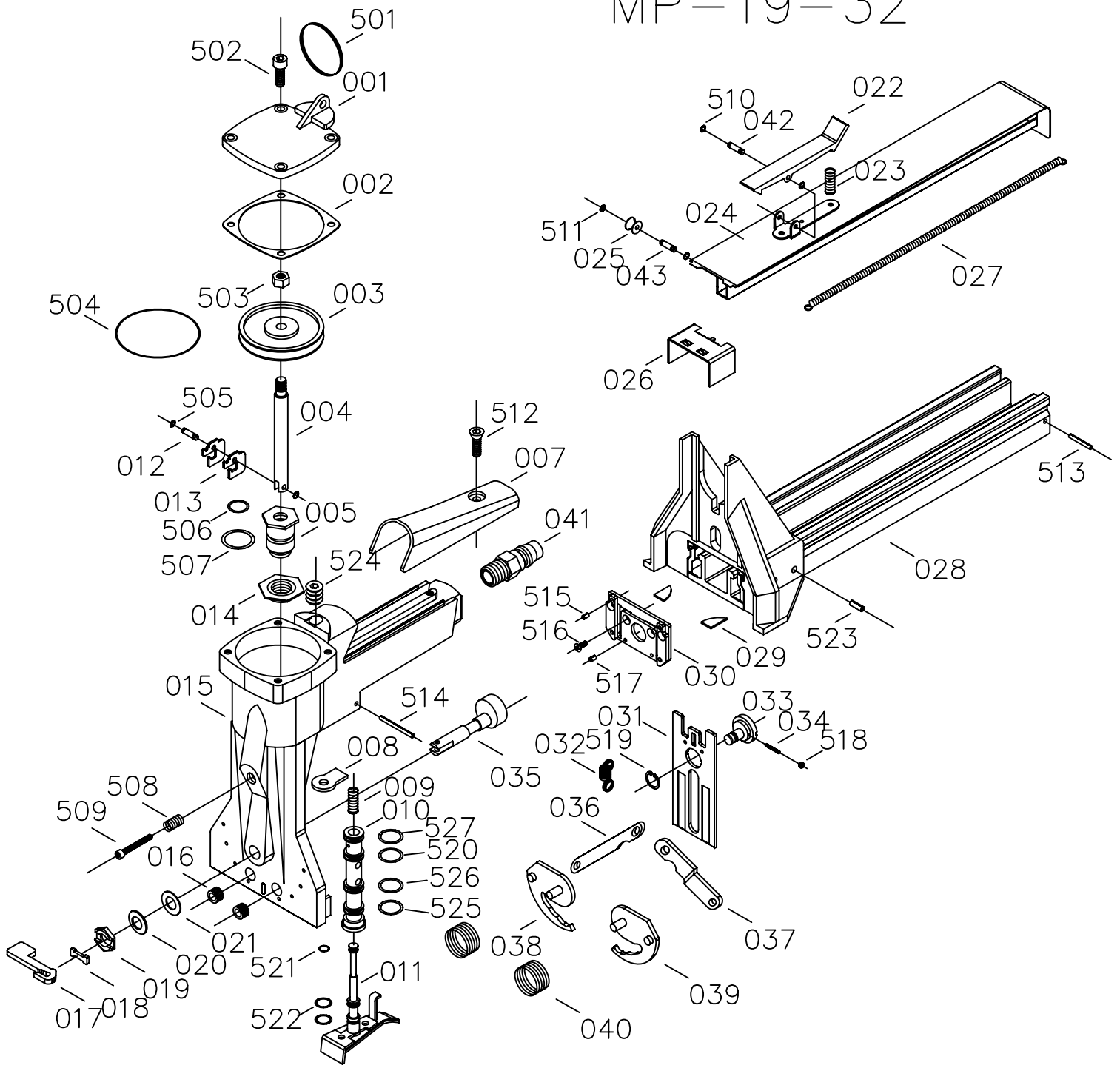


MP-19-35

MP-19-34

MP-19-32



No.	Part#	Description	Q'ty	Remark
001	A04800101	CAP	1	
002	A04804801	PACKING	1	
003	A04800203	PISTON	1	
004	A04800302	PISTON ROD	1	
005	A04800401	ADJUSTING BOLT	1	
007	A04800701	HANDLE COVER	1	
008	A04804701	PLASTIC NUT	1	
009	A04801501	SPRING	1	
010	A04801603	TUBE	1	
011	A04801201@	TRIGGER UNIT	1	
012	A04802301	SHAFT	1	
013	A04802501	PLATE	2	
014	A04800501	ADJUSTING NUT	1	
015	A04800602	BODY	1	
016	A04804401	BUSH	2	
017	A04800801	ADJUSTING ROD	1	
018	A04800901	WASHER	1	
019	A04801002	WASHER	1	
020	A04801101	PLATE SPRING	1	
021	A04804901	WASHER	1	
022	A04803901	STOPPER	1	
023	A04804002	SPRING	1	
024	A04803401@	COVER UNIT	1	
025	A04803301	ROLLER	1	
026	A04803701	PUSHER	1	19-35
026	A04803702	PUSHER	1	19-32
026	A04803703	PUSHER	1	19-34
027	A04803601	SPRING	1	
028	A04802801@	MAGAZINE UNIT	1	19-35
028	A04802802@	MAGAZINE UNIT	1	19-32
028	A04802803@	MAGAZINE UNIT	1	19-34
029	A04804501	PLATE	2	
030	A04803001@	DRIVER GUIDE UNIT	1	19-35
030	A04803002@	DRIVER GUIDE UNIT	1	19-32
030	A04803003@	DRIVER GUIDE UNIT	1	19-34
031	A04804301	DRIVER	1	19-35
031	A04804302	DRIVER	1	19-32
031	A04804303	DRIVER	1	19-34
032	A04802401	SPRING	1	
033	A04802201	ADJUSTING ROD	1	19-34,19-35
033	A04802202	ADJUSTING ROD	1	19-32
034	A04802601	SPRING	1	

No.	Part#	Description	Q'ty	Remark
035	MP-19-35-P6	ADJUSTING ROD UNIT	1	
036	A04802001	PLATE A	1	
037	A04802101	PLATE B	1	
038	A04801803@	CLINCHER, RIGHT	1	19-35 , 19-34
038	A04801804@	CLINCHER, RIGHT	1	19-32
039	A04801903@	CLINCHER, LEFT	1	19-35 , 19-34
039	A04801904@	CLINCHER, LEFT	1	19-32
040	A04801701	SPRING	2	
041	A00100801	AIR PLUG	1	
042	A04805201	SHAFT	1	
043	A04805301	SHAFT	1	
501	C0011302	RING	1	
502	BAC0604102	HEX.SOC.HD.BOLT	4	M4 × 0.7 - 10
503	BAD02061	HEX.NUT	1	M6 × 1 STEEL
504	BAB035440	O-RING	1	φ 3.53 × φ 44.05
505	BAF10202	E-RING	2	φ 2
506	BAB019078	O-RING	1	φ 1.9 × φ 7.8
507	BAB024118	O-RING	1	φ 2.4 × φ 11.8
508	BAG020602	HELI-COIL	1	M6 × 1.0 - 2D
509	BAC0406401	HEX.SOC.HD.BOLT	1	M6 × 1 - 40
510	BAF10202	E-RING	2	φ 2
511	BAF10202	E-RING	2	φ 2
512	BAC0204082	HEX.SOC.FLAT COUNTER SNK HD.SCREW	1	M4 × 0.7 - 8
513	BAA025012	SPRING PIN	1	φ 2.5 - 12
514	BAA025018	SPRING PIN	1	φ 2.5 - 18
515	BAA025004	SPRING PIN	4	φ 2.5 - 4
516	BAC0102101	FLAT HD.SCREW	4	M2.6 × 0.45 - 10
517	BAA025006	SPRING PIN	2	φ 2.5 - 6
518	BAH01013	STEEL BALL	1	φ 1.5
519	BAF10402	E-RING	1	φ 4
520	BAB015090	O-RING	1	φ 1.5 × φ 9
521	BAB015030	O-RING	1	φ 1.5 × φ 3
522	BAB015048	O-RING	2	φ 1.5 × φ 4.8
523	BAA040008	SPRING PIN	4	φ 4 - 8
524	BAC0308062	HEX. SOC. HEADLESS SCREW	1	M8 × 1.25 - 6
525	BAB015100	O-RING	1	φ 1.5 × φ 10
526	BAB015095	O-RING	1	φ 1.5 × φ 9.5
527	BAB015085	O-RING	1	φ 1.5 × φ 8.5