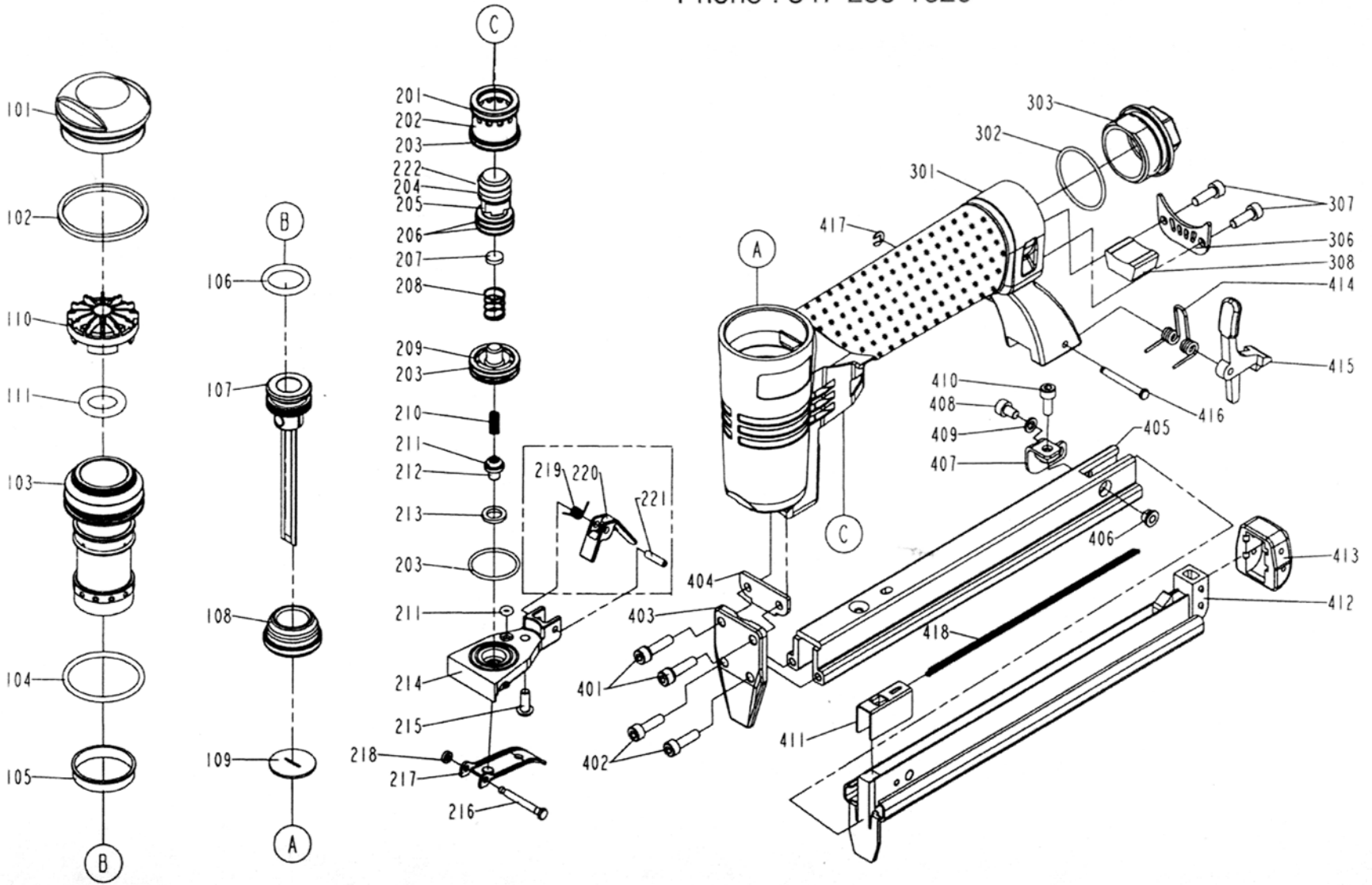


MODEL IS7116

SPOTNAILS[®]
DIVISION OF PEACE INDUSTRIES, LTD.
1100 Hicks Rd
Rolling Meadows, IL 60008
Phone : 847-259-1620



1/8/2010

SPOTNAILS MODEL IS7116

Ref No.	Part No.	Description
101	P-60203	Cap
102	P-64523	O-Ring
103	P-05121	Cylinder
◆ 104	P-64515	O-Ring
105	P-32264	Cylinder O-Ring
◆ 106	P-64516	O-Ring
107	AS-06093	Piston & Driver Assembly
108	P-15243	Bumper
109	P-15244	Driver Guide
◆ 110	P-15246	Seal
◆ 111	P-64524	O-Ring
◆ 201	P-64517	O-Ring
202	P-22206	Trigger Valve Housing
◆ 203	P-64518	O-Ring
◆ 204	P-64519	O-Ring
205	P-22207	Valve Plunger
◆ 206	P-64520	O-Ring
◆ 207	P-15247	Seal
208	P-18511	Spring
209	P-22208	Plunger Cap
210	P-18512	Spring
◆ 211	P-64521	O-Ring
212	P-22209	Plunger
◆ 213	P-15245	Seal
214	P-12527	Valve Cover
215	P-24547	Button Head Cap screw
216	P-07414	Step Pin
217	P-21093	Trigger
218	P-64525	Rubber Washer
219	P-18513	Spring
220	P-53186	Safety Stopper
221	P-07415	Spring Pin
◆ 222	P-64526	O-Ring
301	P-12528	Body
302	P-64522	O-Ring
303	P-60204	End Cap (NPT 1/4"x18)
306	P-12529	Exhaust Cover
307	P-24553	Socket Head Cap Screw
308	P-70052	Exhaust Mesh
401	P-24548	Socket Head Cap Screw
402	P-24549	Socket Head Cap Screw
403	P-10327	Removable Front Plate
404	P-10328	Static Front Plate
405	P-12530	Magazine Cover
406	P-26182	Anchor Block
407	P-13110	Bracket
408	P-24550	Socket Head Cap Screw
409	P-32261	Flat Washer
410	P-24551	Socket Head Cap Screw
411	P-09228	Pusher
412	P-12532	Magazine
413	P-12531	Cover
414	P-18514	Spring
415	P-04088	Latch
416	P-07416	Latch Pin
417	P-32262	E-Ring
418	P-18515	Spring

◆ Parts Included In AS-97328 O-Ring And Seal Kit